



Royal® Prison Model Flushometer

613

Description

Concealed Urinal Royal® Model Flushometer, for stainless steel ¾" back inlet urinals.

Flush Cycle

- Model 613-1.0 Low Consumption (1.0 gpf/3.8 Lpf)
- Model 613 Water Saver 1.5 gpf/5.7 Lpf)

Specifications

Quiet, Concealed, Diaphragm Type, Rough Brass Urinal Flushometer for either left or right hand supply with the following features:

- PERMEX® Synthetic Rubber Diaphragm with Dual Filtered Fixed Bypass
- Metal Non-Hold-Open Push Button
- ¾" I.P.S. Wheel Handle Bak-Chek® Angle Stop
- Adjustable Tailpiece
- High Back Pressure Vacuum Breaker
- Elbow Flush Connection and Coupling for ¾" NPT Back Inlet (for connection in the pipe chase — flush connection through the wall not provided by Sloan)
- Exposed parts Chrome Plated
- High Copper, Low Zinc Brass Castings for Dezincification Resistance
- Low Consumption Flush Accuracy
- Diaphragm, Handle Packing, Stop Seat and Vacuum Breaker molded from PERMEX® Rubber Compound for Chloramine Resistance
- 100% of the energy used in manufacturing is offset with Renewable Energy

Sources – Wind Energy

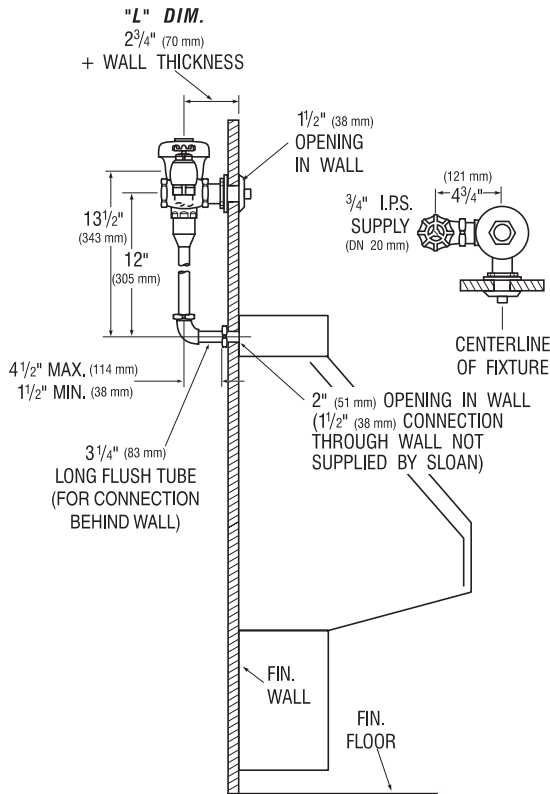
Valve Body, Cover, Tailpiece and Control Stop shall be in conformance with ASTM Alloy Classification for Semi-Red Brass. Valve shall be in compliance to the applicable sections of ASSE 1037.

L Dimension

Specify the "L" Dimension for the proper length of the Push Button Assembly. The "L" Dimension is equal to the Wall Thickness (to the nearest whole inch) plus 2¾" (70 mm).

Variations

- DFB** Dual Filtered Fixed Bypass Diaphragm
- ES** Solenoid Operated (specify 24 VAC or 120 VAC)
- ESM** Solenoid Operated with Modular Plug for use with Sloan PWT Systems (24 VAC only)
- WB** For installation with Sloan Easy Access® Wall Box
- L3** 3" Metal Oscillating Push Button



Made In The
USA



Sloan Valve Company is buying renewable energy certificates to meet 100% of the company's purchased electricity use at its Franklin Park, Illinois facility.

This space for Architect/Engineer approval

Job Name _____ Date _____

Model Specified _____ Quantity _____

Variations Specified _____

Customer/Wholesaler _____

Contractor _____

Architect _____

The information contained in this document is subject to change without notice.



Made in the U.S.A.

SLOAN VALVE COMPANY • 10500 SEYMOUR AVE. • FRANKLIN PARK, IL. 60131
Ph: 1-800-9-VALVE-9 or 1-847-671-4300 • Fax: 1-800-447-8329 or 1-847-671-4380
www.sloanvalve.com